



b.o.b. Sistemi Idraulici S.p.A.

*lift your life*



[www.bobspa.com](http://www.bobspa.com)

**unilift**<sup>®</sup>



# THE COMPANY



[www.bobspa.com](http://www.bobspa.com)

**unilift**<sup>®</sup>



b.o.b. Sistemi Idraulici S.p.A.

## B.O.B. SISTEMI IDRAULICI S.P.A.

- BORN IN 1976
- LOCATED IN THE NORTH WEST OF ITALY
- FAMILY RUN COMPANY
- BUSINESS VOLUME: 30 MILLIONS OF EURO
- PRODUCTION: 1.600 HOOKLIFT UNITS PER YEAR
- PRODUCTION AND DISTRIBUTION ON THE NATIONAL AND INTERNATIONAL MARKET





# THE WORKSHOP



# OUR OFFICES





## WHO USES OUR EQUIPMENT

- RACCOLTA RIFIUTI
- TRANSPORTERS
- VACUUM TRUCKS
- FOOD WASTE COLLECTION
- SCRAP COLLECTION
- QUARRIES – CONSTRUCTION YARDS
- MUNICIPALITIES
- GOVERNMENT – ARMY – CIVIL PROTECTION
- AGRICULTURE

## HOOKLIFTS WITH TELESCOPIC ARM



[www.bobspa.com](http://www.bobspa.com)

**unilift**<sup>®</sup>



b.o.b. Sistemi Idraulici S.p.A.



# HOOKLIFTS WITH TELESCOPIC AND ARTICULATED ARM



**unilift**<sup>®</sup>

[www.bobspa.com](http://www.bobspa.com)



b.o.b. Sistemi Idraulici S.p.A.



# CONTAINER WITH FOLDABLE CRANE



## CONTAINER WITH CRANE NOT FOLDABLE





## CRANE MOUNTED ON CHASSIS CAB



## SKIP LOADER



[www.bobspa.com](http://www.bobspa.com)

**unilift**<sup>®</sup>



b.o.b. Sistemi Idraulici S.p.A.



## HOOKLIFT TRAILER



[www.bobspa.com](http://www.bobspa.com)

**unilift**<sup>®</sup>



b.o.b. Sistemi Idraulici S.p.A.

## INTERCHANGEABLE-COMBI



[www.bobspa.com](http://www.bobspa.com)

**unilift**<sup>®</sup>



b.o.b. Sistemi Idraulici S.p.A.



# AGRICULTURAL HOOKLIFT TRAILER



[www.bobspa.com](http://www.bobspa.com)

**unilift**<sup>®</sup>



b.o.b. Sistemi Idraulici S.p.A.

# MODULAR SYSTEM



[www.bobspa.com](http://www.bobspa.com)

**unilift**<sup>®</sup>



b.o.b. Sistemi Idraulici S.p.A.

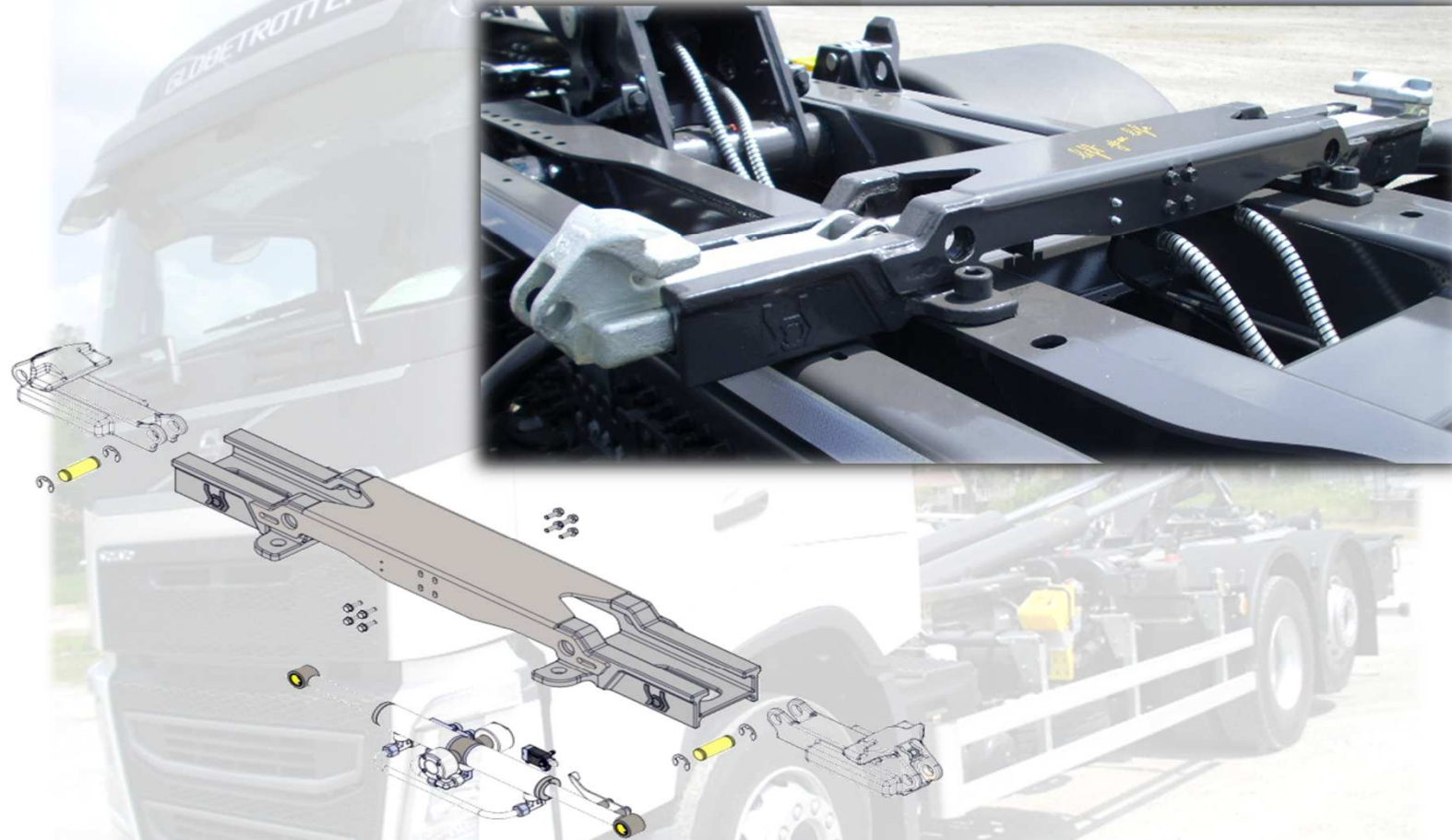


## MODULAR SYSTEM rear lights block



The rear lights block is bolted. The lights are in upper and protected position.

## MODULAR SYSTEM rear locking



Standard hydraulic container locking with external forks. Possibility to reverse to internal fork locking according to DIN 30722 norm.



## MODULAR SYSTEM container supports



Zinc coated cover bolted to the front container support.

Sliding rollers integrated in the container supports to facilitate the arm horizontal movement forward and backward.



## MODULAR SYSTEM front locking

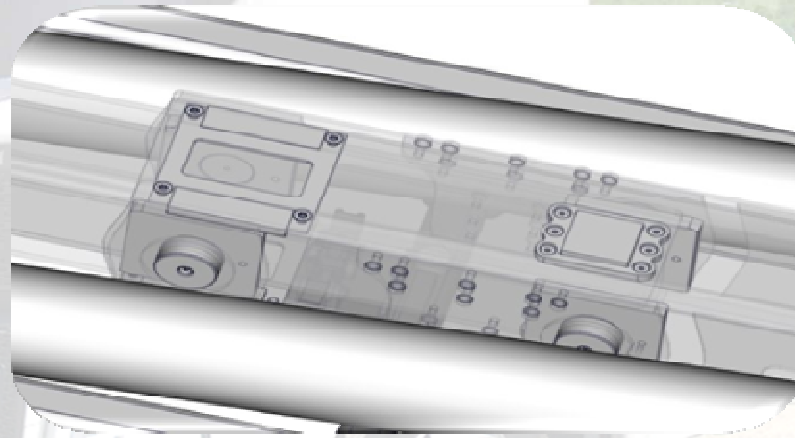


The front arms bolted to the central body sustain the container and together with the integrated locking they make transport and container tipping safe.





## MODULAR SYSTEM translation



Upper, lower and lateral translation surface of the telescopic arm to grant a smoother movement during loading and container translation from/to the trailer.

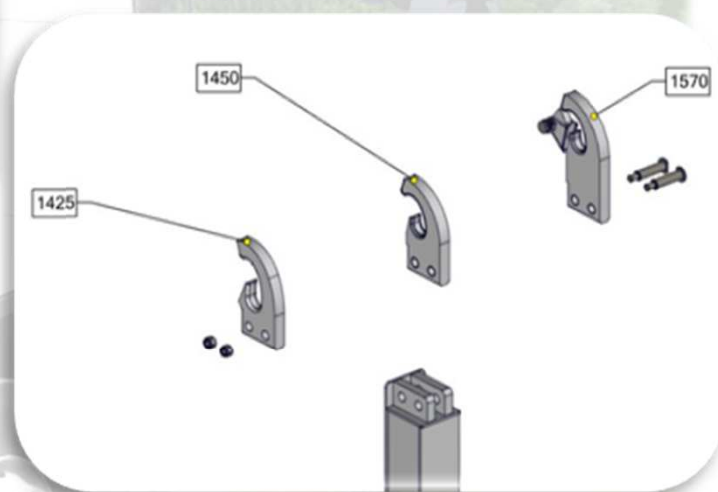
# MODULAR SYSTEM pierced longitudinal beams and fixing plates



The pierced longitudinal hooklift beams allow the bolting instead of welding of the plates; thus resulting a perfect coupling going with mounting time reduction.



## MODULAR SYSTEM bolted hook



The bolted (and not welded) hook to the sliding arm allows a quick interchangeability in case of assistance or different hook heights needed.

## MODULAR SYSTEM bolting brackets and pipe protection



The modular system offers the possibility of bolting mudguards' brackets, cyclists' protection and storage boxes, further to the mounting of flexible hoses protections.



## MODULAR SYSTEM controls



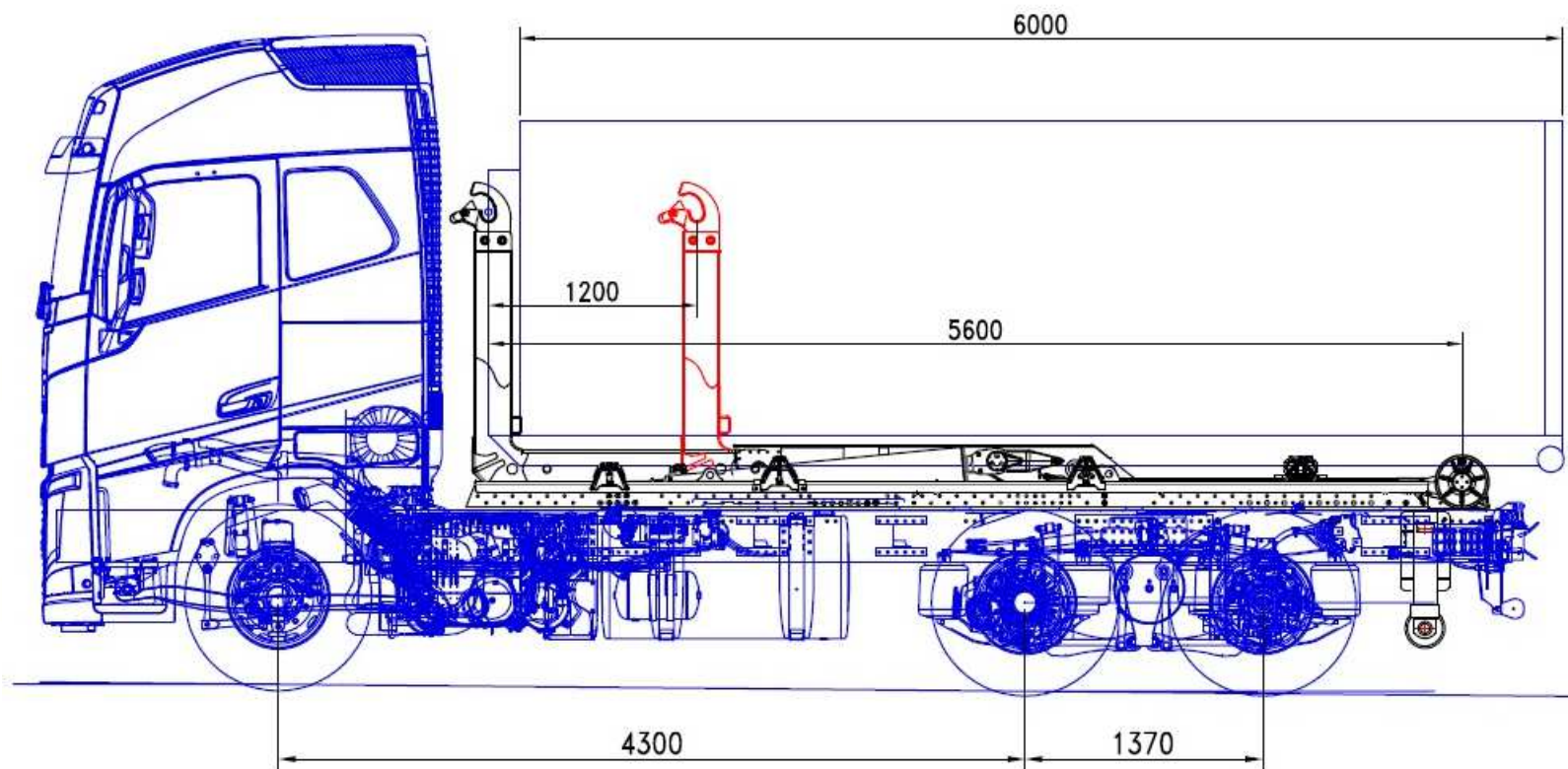
The control system Bobeasy is made of: wire control in the cab, receiver on the ground, levers for emergency, and radio control in option.

## MODULAR SYSTEM summary

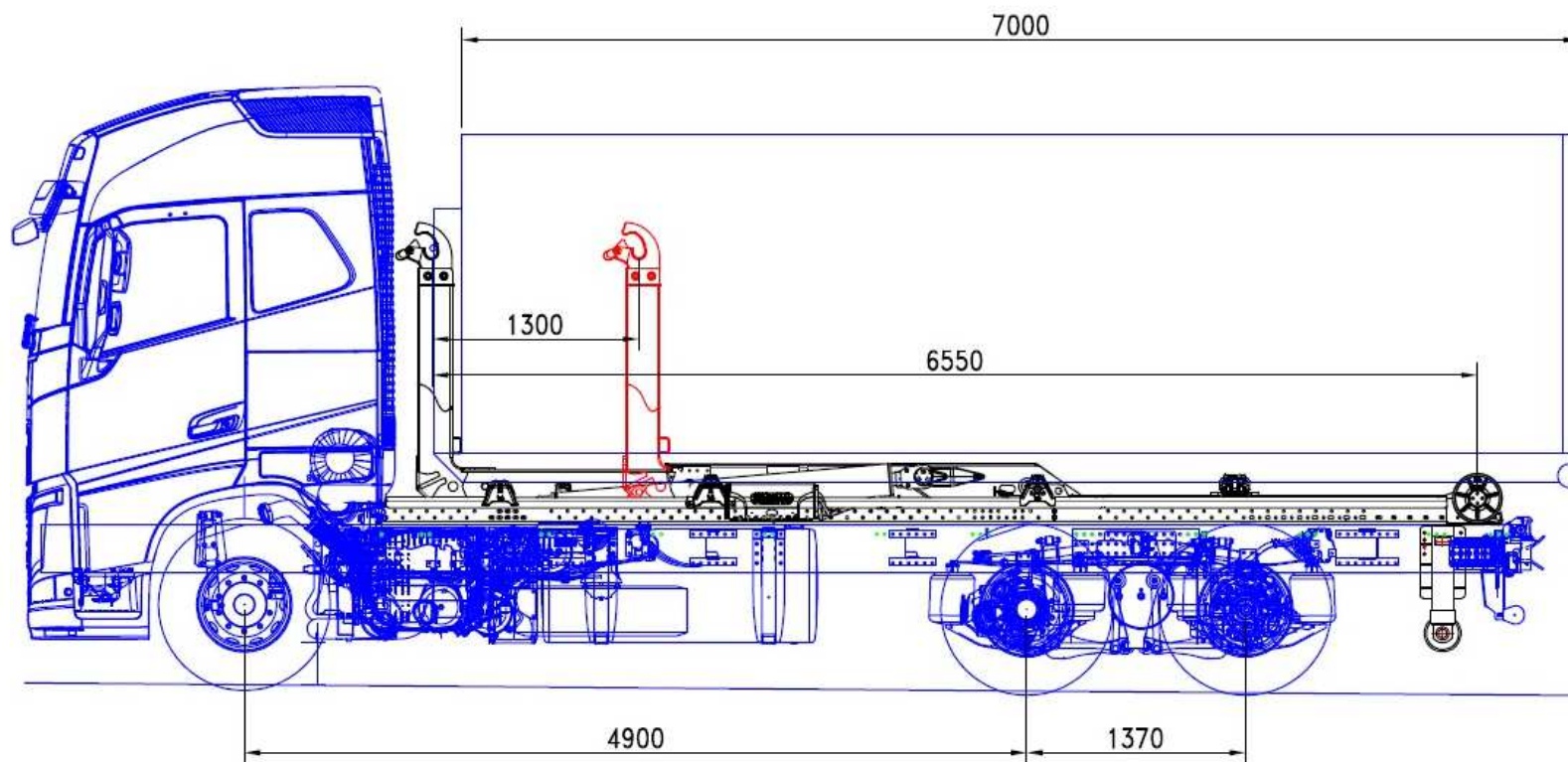
- HOOKLIFT WITH MODERN AND SAFE HOOK SHAPE
- OPPORTUNITY OF HOOKLIFT MOUNTING ON CHASSIS IN AN AUTHORIZED WORKSHOP
- POSSIBILITY TO SUPPLY EQUIPPED HOOKLIFT KIT PRE-MOUNTED
- THE BOLTED MODULAR SYSTEM REDUCES THE MOUNTING TIMES AND THUS THE CHASSIS STOP
- THE EQUIPMENT ALREADY BOLTED ALLOW QUICK REPLACEMENT, AVOIDING WELDING AND RE-PAINTING



# POSITIONING SAMPLE



# POSITIONING SAMPLE







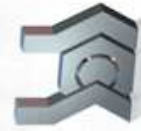
b.o.b. Sistemi Idraulici S.p.A.

*lift your life*

[www.bobspa.com](http://www.bobspa.com)

**unilift**<sup>®</sup>

[www.bobspa.com](http://www.bobspa.com)



b.o.b. Sistemi Idraulici S.p.A.